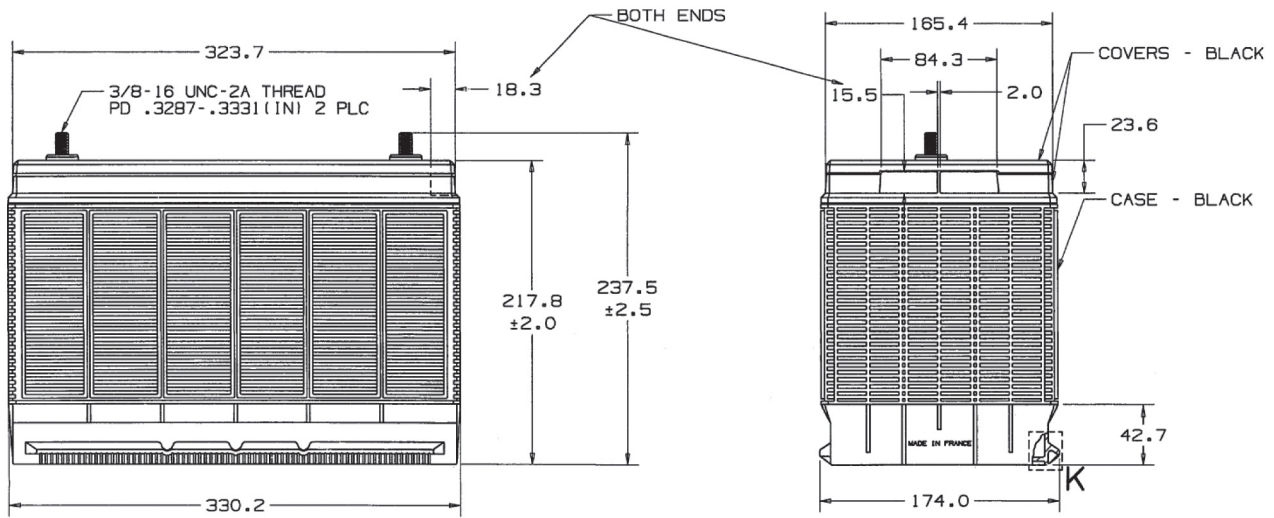
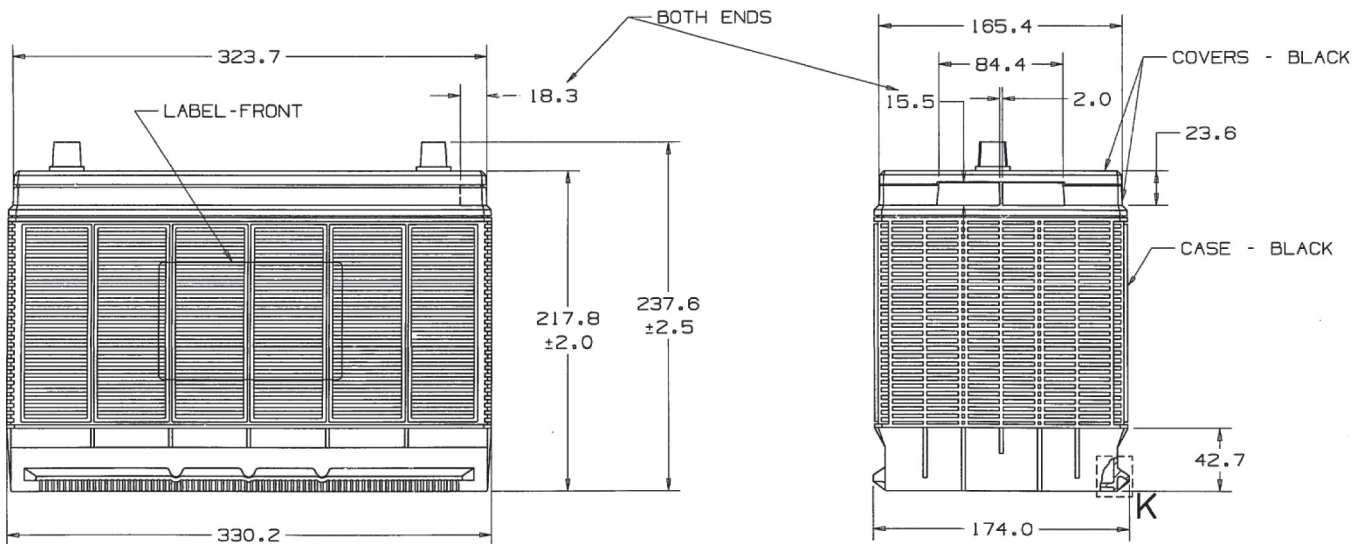


# GROUP 31 STARTER APPLICATION

**ETN**  
**602 103 068**



**ETN**  
**602 102 068**



[www.deltecpower.co.za](http://www.deltecpower.co.za)

